

DATA SHEET

74ALVC16836A

20-bit registered driver with
inverted register enable (3-State)

Product specification
Replaces datasheet 74ALVC16836 of 2000 Jan 04
IC24 Data Handbook

2000 Mar 14

20-bit registered driver with inverted register enable (3-State)

74ALVC16836A

FEATURES

- Wide supply voltage range of 1.2 V to 3.6 V
- Complies with JEDEC standard no. 8-1A.
- CMOS low power consumption
- Direct interface with TTL levels
- Current drive ± 24 mA at 3.0 V
- MULTIBYTE™ flow-through standard pin-out architecture
- Low inductance multiple V_{CC} and GND pins for minimum noise and ground bounce
- Output drive capability 50 Ω transmission lines @ 85°C
- Input diodes to accommodate strong drivers

DESCRIPTION

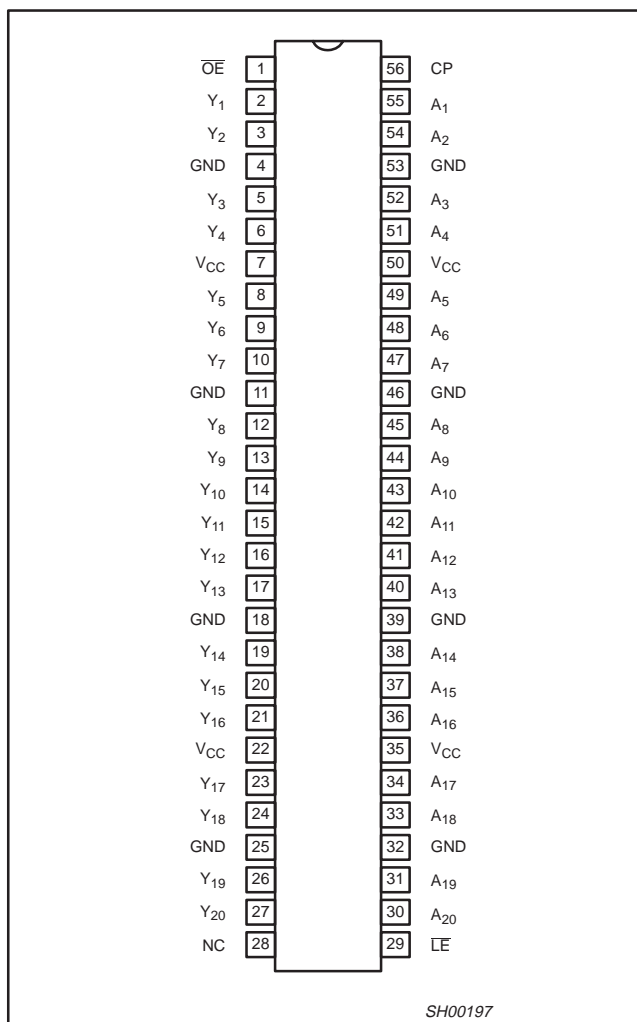
The 74ALVC16836A is a 20-bit universal bus driver. Data flow is controlled by active low output enable (\overline{OE}), active low latch enable (\overline{LE}) and clock inputs (CP).

When \overline{LE} is LOW, the A to Y data flow is transparent. When \overline{LE} is HIGH and CP is held at LOW or HIGH, the data is latched; on the LOW to HIGH transient of CP the A-data is stored in the latch/flip-flop.

When \overline{OE} is LOW the outputs are active. When \overline{OE} is HIGH, the outputs go to the high impedance OFF-state. Operation of the \overline{OE} input does not affect the state of the latch/flip-flop.

To ensure the high-impedance state during power up or power down, \overline{OE} should be tied to V_{CC} through a pullup resistor; the minimum value of the resistor is determined by the current-sinking capability of the driver.

PIN CONFIGURATION



QUICK REFERENCE DATA

$GND = 0$ V; $T_{amb} = 25^\circ\text{C}$; $t_r = t_f \leq 2.5$ ns

| SYMBOL | PARAMETER | CONDITIONS | TYPICAL | UNIT | |
|-------------------|--|---------------------------------|---|----------|----|
| t_{PHL}/t_{PLH} | Propagation delay An to Yn; \overline{LE} to Yn; CP to Yn | $V_{CC} = 3.3$ V, $C_L = 50$ pF | 2.3 2.6 2.5 | ns | |
| f_{max} | Maximum clock frequency | $V_{CC} = 3.3$ V, $C_L = 50$ pF | 350 | MHz | |
| C_I | Input capacitance | | 4.0 | pF | |
| $C_{I/O}$ | Input/Output capacitance | | 8.0 | pF | |
| C_{PD} | Power dissipation capacitance per buffer | $V_I = GND$ to V_{CC}^1 | transparent mode Output enabled Output disabled | 13 3 | pF |
| | | | Clocked mode Output enabled Output disabled | 22 15 | |

NOTES:

1. C_{PD} is used to determine the dynamic power dissipation (P_D in μW):

$$P_D = C_{PD} \times V_{CC}^2 \times f_i + \sum (C_L \times V_{CC}^2 \times f_o)$$

where: f_i = input frequency in MHz; C_L = output load capacitance in pF;
 f_o = output frequency in MHz; V_{CC} = supply voltage in V; $\sum (C_L \times V_{CC}^2 \times f_o)$ = sum of outputs.

20-bit registered driver with inverted register enable (3-State)

74ALVC16836A

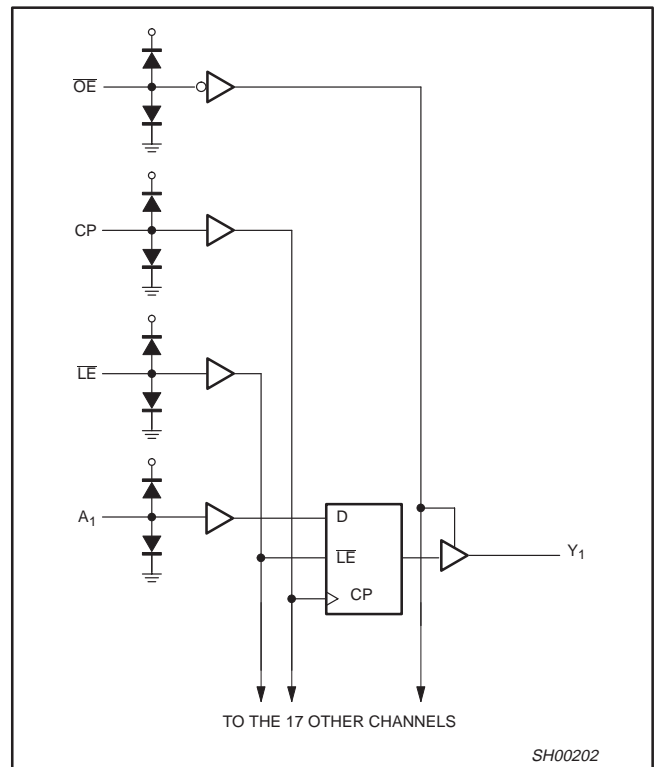
ORDERING INFORMATION

| PACKAGES | TEMPERATURE RANGE | ORDER CODE | DRAWING NUMBER |
|--|-------------------|------------------|----------------|
| 56-Pin Plastic Thin Shrink Small Outline (TSSOP) Type II | -40°C to +85°C | 74ALVC16836A DGG | SOT364-1 |

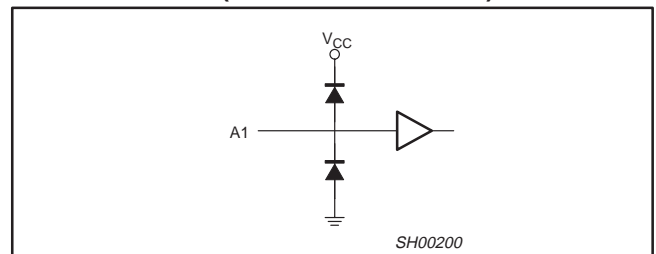
PIN DESCRIPTION

| PIN NUMBER | SYMBOL | NAME AND FUNCTION |
|--|-----------------------------------|----------------------------------|
| 28 | NC | No connection |
| 2, 3, 5, 6, 8, 9, 10, 12, 13, 14, 15, 16, 17, 19, 20, 21, 23, 24, 26, 27 | Y ₁ to Y ₁₈ | Data outputs |
| 4, 11, 18, 25, 32, 39, 46, 53, 56 | GND | Ground (0 V) |
| 7, 22, 35, 50 | V _{CC} | Positive supply voltage |
| 1 | \overline{OE} | Output enable input (active LOW) |
| 29 | \overline{LE} | Latch enable input (active LOW) |
| 56 | CP | Clock input |
| 55, 54, 52, 51, 49, 48, 47, 45, 44, 43, 42, 41, 40, 38, 37, 36, 34, 33, 31, 30 | A ₁ to A ₁₈ | Data inputs |

LOGIC SYMBOL



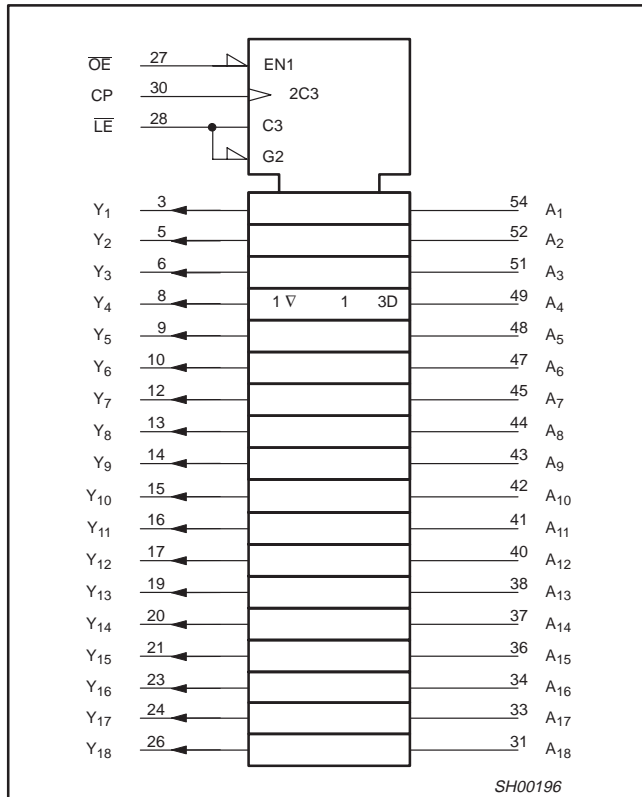
TYPICAL INPUT (DATA OR CONTROL)



20-bit registered driver with inverted register enable (3-State)

74ALVC16836A

LOGIC SYMBOL (IEEE/IEC)



FUNCTION TABLE

| INPUTS | | | | OUTPUTS |
|--------|----|----|---|-----------------------------|
| OE | LE | CP | A | |
| H | X | X | X | Z |
| L | L | X | L | L |
| L | L | X | H | H |
| L | H | ↑ | L | L |
| L | H | ↑ | H | H |
| L | H | H | X | Y ₀ ¹ |
| L | H | L | X | Y ₀ ² |

H = HIGH voltage level
 L = LOW voltage level
 X = Don't care
 Z = High impedance "off" state
 ↑ = LOW-to-HIGH level transition

NOTES:

- Output level before the indicated steady-state input conditions were established, provided that CP is high before LE goes low.
- Output level before the indicated steady-state input conditions were established.

20-bit registered driver with inverted register enable (3-State)

74ALVC16836A

RECOMMENDED OPERATING CONDITIONS

| SYMBOL | PARAMETER | CONDITIONS | MIN | MAX | UNIT |
|------------|--|--|--------|----------|------|
| V_{CC} | DC supply voltage 2.5 V range (for max. speed performance @ 30 pF output load) | | 2.3 | 2.7 | V |
| | DC supply voltage 3.3 V range (for max. speed performance @ 50 pF output load) | | 3.0 | 3.6 | |
| | DC supply voltage (for low-voltage applications) | | 1.2 | 3.6 | |
| V_I | DC Input voltage range | | 0 | V_{CC} | V |
| V_O | DC output voltage range | | 0 | V_{CC} | V |
| T_{amb} | Operating free-air temperature range | | -40 | +85 | °C |
| t_r, t_f | Input rise and fall times | $V_{CC} = 2.3$ to 3.0 V $V_{CC} = 3.0$ to 3.6 V | 0 0 | 20 10 | ns/V |

ABSOLUTE MAXIMUM RATINGS

In accordance with the Absolute Maximum Rating System (IEC 134).
Voltages are referenced to GND (ground = 0 V).

| SYMBOL | PARAMETER | CONDITIONS | RATING | UNIT |
|-------------------|--|--|------------------------|------|
| V_{CC} | DC supply voltage | | -0.5 to +4.6 | V |
| I_{IK} | DC input diode current | $V_I < 0$ | -50 | mA |
| V_I | DC input voltage | For control pins ¹ | -0.5 to +4.6 | V |
| | | For data inputs ¹ | -0.5 to $V_{CC} + 0.5$ | |
| I_{OK} | DC output diode current | $V_O > V_{CC}$ or $V_O < 0$ | ±50 | mA |
| V_O | DC output voltage | Note 1 | -0.5 to $V_{CC} + 0.5$ | V |
| I_O | DC output source or sink current | $V_O = 0$ to V_{CC} | ±50 | mA |
| I_{GND}, I_{CC} | DC V_{CC} or GND current | | ±100 | mA |
| T_{stg} | Storage temperature range | | -65 to +150 | °C |
| P_{TOT} | Power dissipation per package -plastic thin-medium-shrink (TSSOP) | For temperature range: -40 to +125 °C above +55°C derate linearly with 8 mW/K | 600 | mW |

NOTE:

1. The input and output voltage ratings may be exceeded if the input and output current ratings are observed.

20-bit registered driver with inverted register enable (3-State)

74ALVC16836A

DC ELECTRICAL CHARACTERISTICS

Over recommended operating conditions. Voltage are referenced to GND (ground = 0 V).

| SYMBOL | PARAMETER | TEST CONDITIONS | LIMITS | | | UNIT |
|------------------|-------------------------------------|---|-----------------------|------------------------|------|------|
| | | | Temp = -40°C to +85°C | | | |
| | | | MIN | TYP ¹ | MAX | |
| V _{IH} | HIGH level Input voltage | V _{CC} = 2.3 to 2.7 V | 1.7 | 1.2 | | V |
| | | V _{CC} = 2.7 to 3.6 V | 2.0 | 1.5 | | |
| V _{IL} | LOW level Input voltage | V _{CC} = 2.3 to 2.7 V | | 1.2 | 0.7 | V |
| | | V _{CC} = 2.7 to 3.6 V | | 1.5 | 0.8 | |
| V _{OH} | HIGH level output voltage | V _{CC} = 2.3 to 3.6 V; V _I = V _{IH} or V _{IL} ; I _O = -100 μA | V _{CC} - 0.2 | V _{CC} | | V |
| | | V _{CC} = 2.3 V; V _I = V _{IH} or V _{IL} ; I _O = -6 mA | V _{CC} - 0.3 | V _{CC} - 0.08 | | |
| | | V _{CC} = 2.3 V; V _I = V _{IH} or V _{IL} ; I _O = -12 mA | V _{CC} - 0.6 | V _{CC} - 0.26 | | |
| | | V _{CC} = 2.7 V; V _I = V _{IH} or V _{IL} ; I _O = -12 mA | V _{CC} - 0.5 | V _{CC} - 0.14 | | |
| | | V _{CC} = 3.0 V; V _I = V _{IH} or V _{IL} ; I _O = -12 mA | V _{CC} - 0.6 | V _{CC} - 0.09 | | |
| | | V _{CC} = 3.0 V; V _I = V _{IH} or V _{IL} ; I _O = -24 mA | V _{CC} - 1.0 | V _{CC} - 0.28 | | |
| V _{OL} | LOW level output voltage | V _{CC} = 2.3 to 3.6 V; V _I = V _{IH} or V _{IL} ; I _O = 100 μA | | GND | 0.20 | V |
| | | V _{CC} = 2.3 V; V _I = V _{IH} or V _{IL} ; I _O = 6 mA | | 0.07 | 0.40 | V |
| | | V _{CC} = 2.3 V; V _I = V _{IH} or V _{IL} ; I _O = 12 mA | | 0.15 | 0.70 | V |
| | | V _{CC} = 2.7 V; V _I = V _{IH} or V _{IL} ; I _O = 12 mA | | 0.14 | 0.40 | |
| | | V _{CC} = 3.0 V; V _I = V _{IH} or V _{IL} ; I _O = 24 mA | | 0.27 | 0.55 | |
| I _I | Input leakage current | V _{CC} = 2.3 to 3.6 V; V _I = V _{CC} or GND | | 0.1 | 5 | μA |
| I _{OZ} | 3-State output OFF-state current | V _{CC} = 2.3 to 3.6 V; V _I = V _{IH} or V _{IL} ; V _O = V _{CC} or GND | | 0.1 | 10 | μA |
| I _{CC} | Quiescent supply current | V _{CC} = 2.3 to 3.6 V; V _I = V _{CC} or GND; I _O = 0 | | 0.2 | 40 | μA |
| ΔI _{CC} | Additional quiescent supply current | V _{CC} = 2.3 V to 3.6 V; V _I = V _{CC} - 0.6 V; I _O = 0 | | 150 | 750 | μA |

NOTES:

1. All typical values are at T_{amb} = 25°C.

20-bit registered driver with inverted register enable (3-State)

74ALVC16836A

AC CHARACTERISTICS FOR $V_{CC} = 2.3 \text{ V TO } 2.7 \text{ V RANGE}$

GND = 0 V; $t_r = t_f \leq 2.0 \text{ ns}$; $C_L = 30 \text{ pF}$

| SYMBOL | PARAMETER | WAVEFORM | LIMITS | | | UNIT |
|-------------------|--|----------|--|------------------|-----|------|
| | | | $V_{CC} = 2.3 \text{ to } 2.7 \text{ V}$ | | | |
| | | | MIN | TYP ¹ | MAX | |
| t_{PHL}/t_{PLH} | Propagation delay An to Yn | 1, 7 | 1.0 | 2.4 | 4.2 | ns |
| | Propagation delay \overline{LE} to Yn | 2, 7 | 1.3 | 2.8 | 4.5 | |
| | Propagation delay CP to Yn | 4, 7 | 1.4 | 2.8 | 5.0 | |
| t_{PZH}/t_{PZL} | 3-State output enable time \overline{OE} to Yn | 6, 7 | 1.4 | 2.2 | 4.0 | ns |
| t_{PHZ}/t_{PLZ} | 3-State output disable time \overline{OE} to Yn | 6, 7 | 1.4 | 2.0 | 4.5 | ns |
| t_W | CP pulse width HIGH or LOW | 4, 7 | 2.0 | – | – | ns |
| | \overline{LE} pulse width HIGH | 2, 7 | 2.0 | – | – | |
| t_{SU} | Set-up time An to CP | 5, 7 | 1.0 | – | – | ns |
| | Set-up time An to \overline{LE} | 3, 7 | 1.5 | – | – | |
| t_h | Hold time An to CP | 5, 7 | 0.6 | 0.2 | – | ns |
| | Hold time An to \overline{LE} | 3, 7 | 1.4 | 0.4 | – | |
| f_{max} | Maximum clock pulse frequency | 4, 7 | 150 | 300 | – | MHz |

NOTE:1. All typical values are at $V_{CC} = 3.3 \text{ V}$ and $T_{amb} = 25^\circ\text{C}$.

AC CHARACTERISTICS FOR $V_{CC} = 3.0\text{V TO } 3.6\text{V RANGE AND } V_{CC} = 2.7\text{V}$

GND = 0 V; $t_r = t_f \leq 2.5 \text{ ns}$; $C_L = 50 \text{ pF}$

| SYMBOL | PARAMETER | WAVEFORM | LIMITS | | | LIMITS | | | UNIT |
|-------------------|--|----------|----------------------------------|---------------------|-----|--------------------------|------------------|-----|------|
| | | | $V_{CC} = 3.3 \pm 0.3 \text{ V}$ | | | $V_{CC} = 2.7 \text{ V}$ | | | |
| | | | MIN | TYP ^{1, 2} | MAX | MIN | TYP ¹ | MAX | |
| t_{PHL}/t_{PLH} | Propagation delay An to Yn | 1, 7 | 1.0 | 2.3 | 3.6 | 1.3 | 2.7 | 4.0 | ns |
| | Propagation delay \overline{LE} to Yn | 2, 7 | 1.3 | 2.6 | 4.2 | 1.3 | 2.8 | 4.5 | |
| | Propagation delay CP to Yn | 4, 7 | 1.3 | 2.5 | 4.2 | 1.3 | 2.7 | 4.5 | |
| t_{PZH}/t_{PZL} | 3-State output enable time \overline{OE} to Yn | 6, 7 | 1.1 | 2.3 | 4.4 | 1.4 | 3.0 | 4.5 | ns |
| t_{PHZ}/t_{PLZ} | 3-State output disable time \overline{OE} to Yn | 6, 7 | 1.3 | 2.8 | 4.3 | 1.4 | 3.1 | 4.3 | ns |
| t_W | CP pulse width HIGH or LOW | 4, 7 | 2.0 | – | – | 2.0 | – | – | ns |
| | \overline{LE} pulse width HIGH | 2, 7 | 2.0 | – | – | 2.0 | – | – | |
| t_{SU} | Set-up time An to CP | 5, 7 | 1.0 | – | – | 1.0 | – | – | ns |
| | Set-up time An to \overline{LE} | 3, 7 | 1.5 | – | – | 1.5 | – | – | |
| t_h | Hold time An to CP | 5, 7 | 0.9 | 0.3 | – | 0.6 | 0.3 | – | ns |
| | Hold time An to \overline{LE} | 3, 7 | 1.4 | 0.3 | – | 1.7 | 0.4 | – | |
| f_{max} | Maximum clock pulse frequency | 4, 7 | 150 | 300 | – | 200 | 350 | – | MHz |

NOTES:1. All typical values are measured $T_{amb} = 25^\circ\text{C}$.2. Typical value is measured at $V_{CC} = 3.3 \text{ V}$

20-bit registered driver with inverted register enable (3-State)

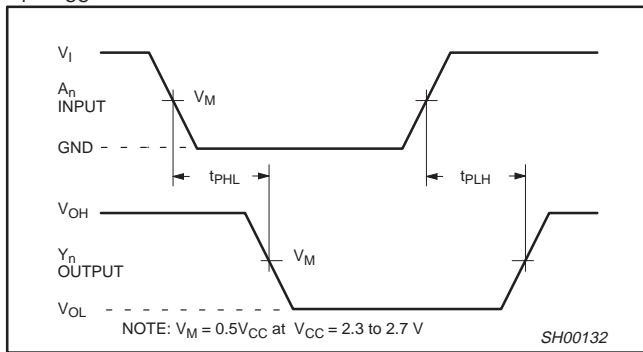
74ALVC16836A

AC WAVEFORMS FOR $V_{CC} = 3.0\text{ V TO } 3.6\text{ V AND } V_{CC} = 2.7\text{ V RANGE}$

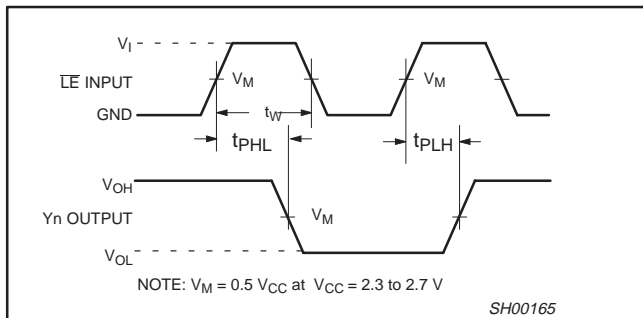
$V_M = 1.5 V_{CC}$
 $V_X = V_{OL} + 0.3\text{ V}$
 $V_Y = V_{OH} - 0.3\text{ V}$
 V_{OL} and V_{OH} are the typical output voltage drop that occur with the output load.
 $V_I = 2.7\text{ V}$

AC WAVEFORMS FOR $V_{CC} = 2.3\text{ V TO } 2.7\text{ V AND } V_{CC} < 2.3\text{ V RANGE}$

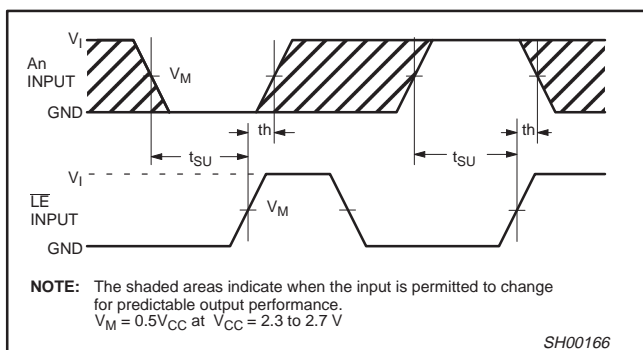
$V_M = 0.5\text{ V}$
 $V_X = V_{OL} + 0.15\text{ V}$
 $V_Y = V_{OH} - 0.15\text{ V}$
 V_{OL} and V_{OH} are the typical output voltage drop that occur with the output load.
 $V_I = V_{CC}$



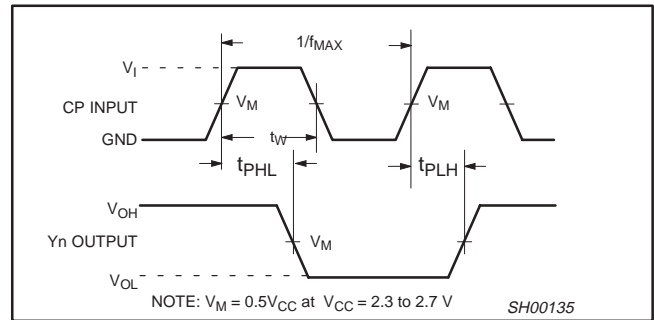
Waveform 1. Input (An) to output (Yn) propagation delay



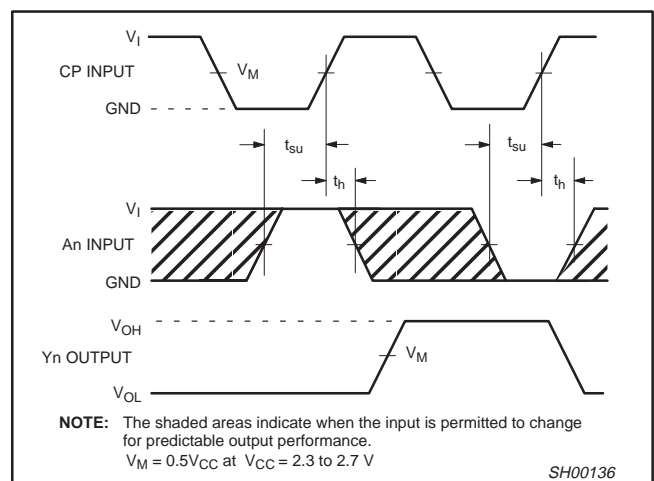
Waveform 2. Latch enable input (LE) pulse width, the latch enable input to output (Yn) propagation delays.



Waveform 3. Data set-up and hold times for the An input to the LE input



Waveform 4. The clock (CP) to Yn propagation delays, the clock pulse width and the maximum clock frequency.



Waveform 5. Data set-up and hold times for the An input to the clock CP input

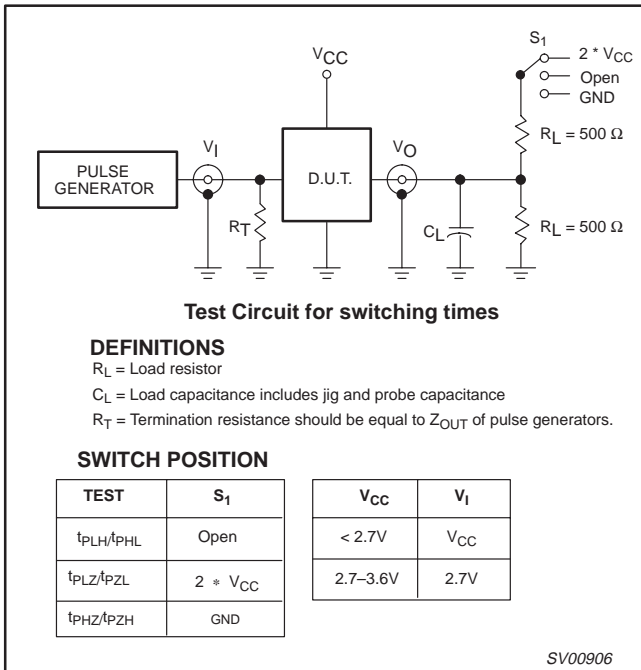


Waveform 6. 3-State enable and disable times

20-bit registered driver with inverted register enable (3-State)

74ALVC16836A

TEST CIRCUIT



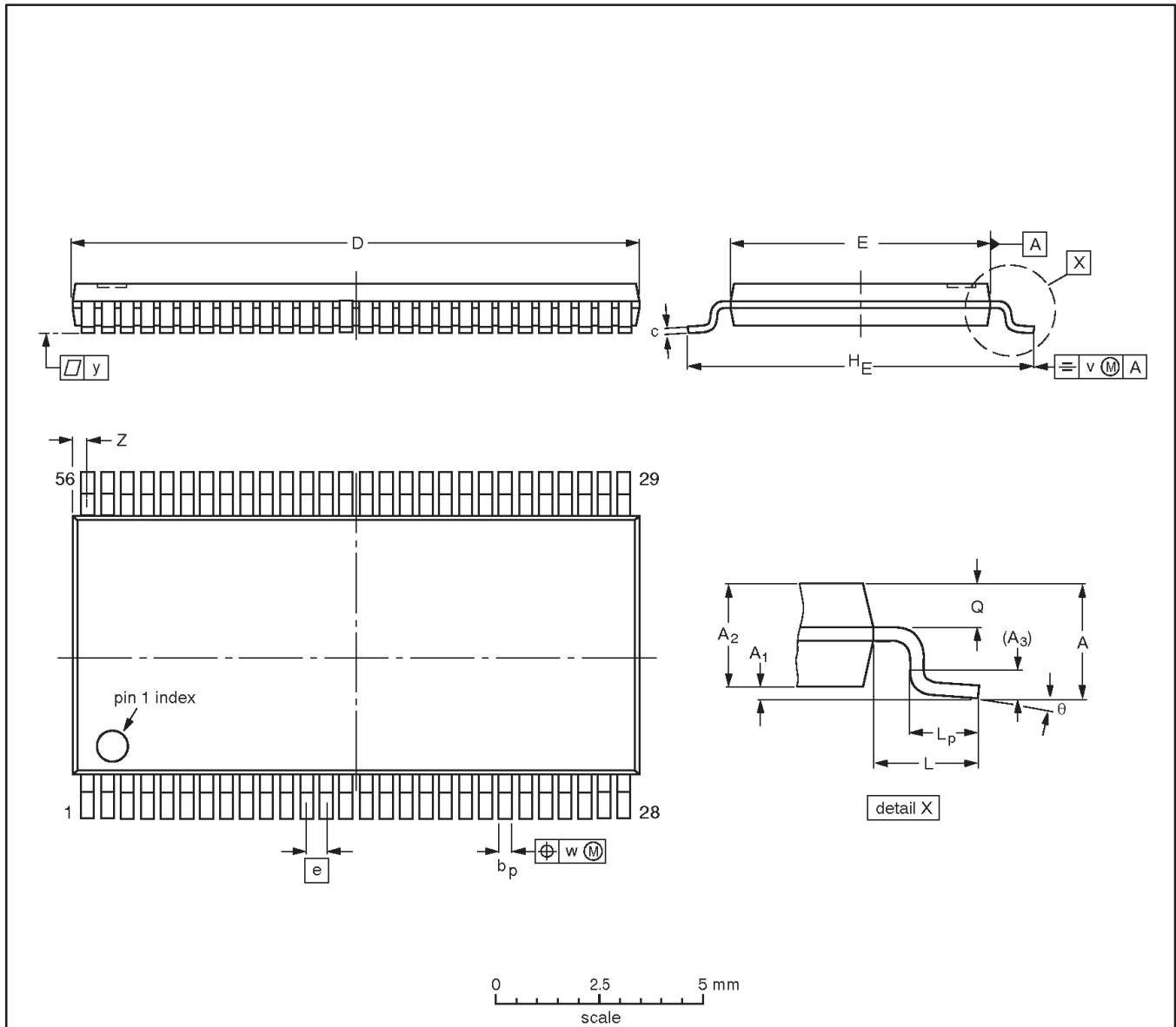
Waveform 7. Load circuitry for switching times

20-bit registered driver with inverted register enable (3-State)

74ALVC16836A

TSSOP56: plastic thin shrink small outline package; 56 leads; body width 6.1 mm

SOT364-1



DIMENSIONS (mm are the original dimensions).

| UNIT | A max. | A ₁ | A ₂ | A ₃ | b _p | c | D ⁽¹⁾ | E ⁽²⁾ | e | H _E | L | L _p | Q | v | w | y | Z | θ |
|------|--------|----------------|----------------|----------------|----------------|------------|------------------|------------------|-----|----------------|-----|----------------|--------------|------|------|-----|------------|----------|
| mm | 1.2 | 0.15 0.05 | 1.05 0.85 | 0.25 | 0.28 0.17 | 0.2 0.1 | 14.1 13.9 | 6.2 6.0 | 0.5 | 8.3 7.9 | 1.0 | 0.8 0.4 | 0.50 0.35 | 0.25 | 0.08 | 0.1 | 0.5 0.1 | 8° 0° |

Notes

1. Plastic or metal protrusions of 0.15 mm maximum per side are not included.
2. Plastic interlead protrusions of 0.25 mm maximum per side are not included.

| OUTLINE VERSION | REFERENCES | | | | EUROPEAN PROJECTION | ISSUE DATE |
|-----------------|------------|--------|------|--|---------------------|----------------------|
| | IEC | JEDEC | EIAJ | | | |
| SOT364-1 | | MO-153 | | | | 95-02-10 99-12-27 |

20-bit registered driver with inverted register enable
(3-State)

74ALVC16836A

NOTES

20-bit registered driver with inverted register enable (3-State)

74ALVC16836A

Data sheet status

| Data sheet status | Product status | Definition [1] |
|---------------------------|----------------|--|
| Objective specification | Development | This data sheet contains the design target or goal specifications for product development. Specification may change in any manner without notice. |
| Preliminary specification | Qualification | This data sheet contains preliminary data, and supplementary data will be published at a later date. Philips Semiconductors reserves the right to make changes at any time without notice in order to improve design and supply the best possible product. |
| Product specification | Production | This data sheet contains final specifications. Philips Semiconductors reserves the right to make changes at any time without notice in order to improve design and supply the best possible product. |

[1] Please consult the most recently issued datasheet before initiating or completing a design.

Definitions

Short-form specification — The data in a short-form specification is extracted from a full data sheet with the same type number and title. For detailed information see the relevant data sheet or data handbook.

Limiting values definition — Limiting values given are in accordance with the Absolute Maximum Rating System (IEC 134). Stress above one or more of the limiting values may cause permanent damage to the device. These are stress ratings only and operation of the device at these or at any other conditions above those given in the Characteristics sections of the specification is not implied. Exposure to limiting values for extended periods may affect device reliability.

Application information — Applications that are described herein for any of these products are for illustrative purposes only. Philips Semiconductors make no representation or warranty that such applications will be suitable for the specified use without further testing or modification.

Disclaimers

Life support — These products are not designed for use in life support appliances, devices or systems where malfunction of these products can reasonably be expected to result in personal injury. Philips Semiconductors customers using or selling these products for use in such applications do so at their own risk and agree to fully indemnify Philips Semiconductors for any damages resulting from such application.

Right to make changes — Philips Semiconductors reserves the right to make changes, without notice, in the products, including circuits, standard cells, and/or software, described or contained herein in order to improve design and/or performance. Philips Semiconductors assumes no responsibility or liability for the use of any of these products, conveys no license or title under any patent, copyright, or mask work right to these products, and makes no representations or warranties that these products are free from patent, copyright, or mask work right infringement, unless otherwise specified.

Philips Semiconductors
811 East Arques Avenue
P.O. Box 3409
Sunnyvale, California 94088-3409
Telephone 800-234-7381

© Copyright Philips Electronics North America Corporation 2000
All rights reserved. Printed in U.S.A.

Date of release: 03-00

Document order number:

9397-750-06959

Let's make things better.